

3/4' Motor Overload Protector

T motor protector is designed to protect single phase induction motors against overload and locked rotor conditions up to 65A'

- **AUTOMATIC RESET:** Main application is protection of hermetic compressor for refrigeration. Models with cover are approved for use with flammable refrigerant gases.
- **MANUAL RESET:** Main application is protection of electric motor where automatic reset would be dangerous or otherwise undesirable (Food Mixers, Chain saws, etc.).



GENERAL CHARACTERISTICS

CONTACT RATING¹

Low capacity 40A 115Vac, 30A
250Vac
High capacity 65A 115Vac, 50A
250Vac

MAXIMUM OPERATING TEMPERATURE¹

150°C

OPENING TEMPERATURE¹

65°C up to 160°C (±5°C)

RESET TEMPERATURE¹

41°C up to 102°C (±9°C)

FIRST CYCLE TRIP CURRENT¹

(at 25°C in 7.5-14seconds)
from 3 to 50A

ULTIMATE TRIP CURRENT¹

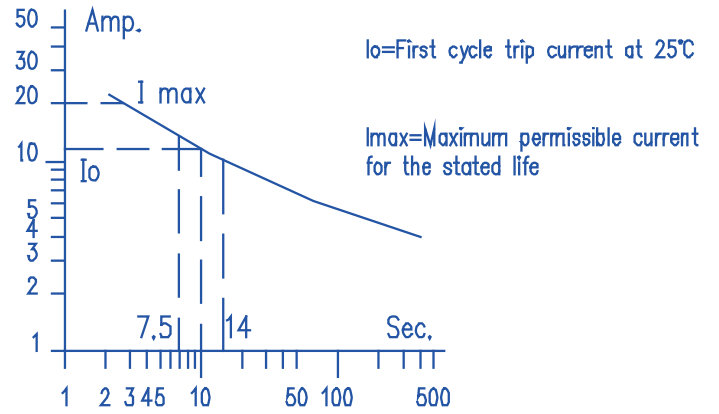
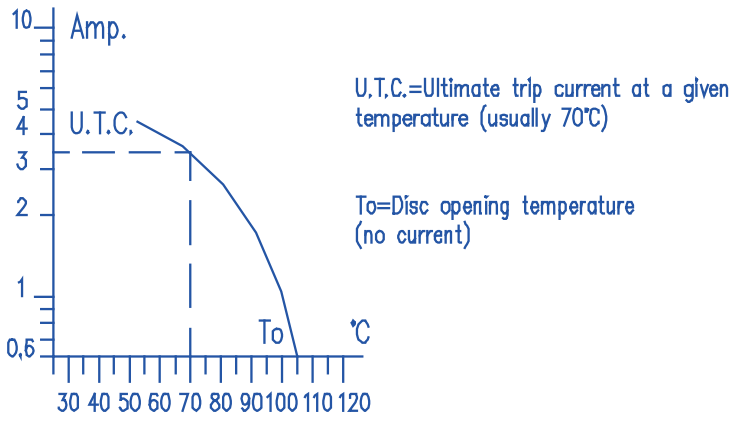
from 0.6 to 25A

TERMINAL CONFIGURATION¹

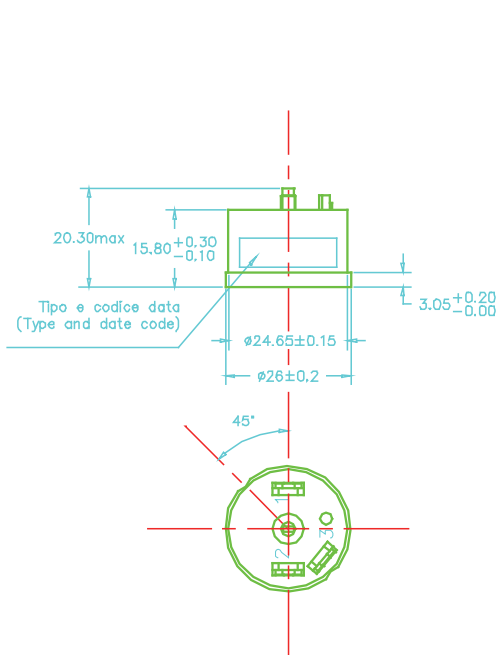
Quick-Connect tab
M3.5 screws
Solder terminal
Cable leads (AWG 14 or AWG 16)



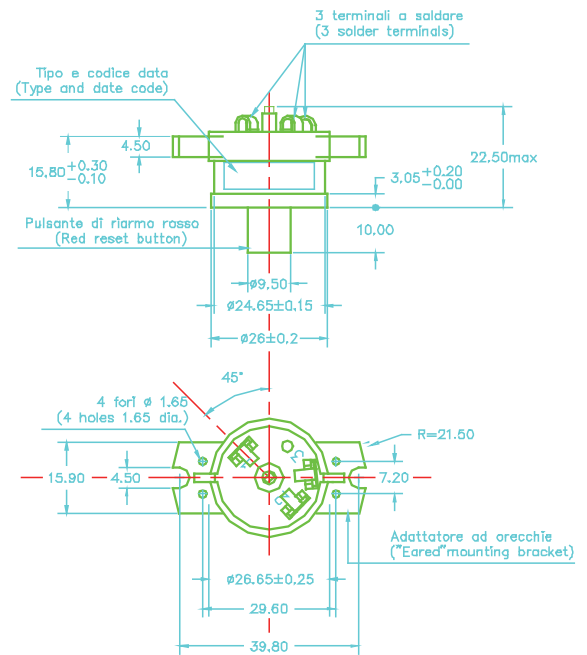
EXAMPLE OF PERFORMANCE CURVES



OUTLINE DRAWINGS



Automatic Reset



Manual Reset
Red or green button option