

## AC Motor Run Capacitors - Epoxy enclosed

### Features-

- Self-healing, metallized polypropylene film
- Epoxy enclosed
- Plastic shell , Moisture and Oil Resistant
- Voltages from 110 - 600 VAC
- Meets EN60252-1 Specifications
- UL Recognized Capacitors
- RoHS Compliant



### General Specifications-

#### Operating Temperature:

-40 to +105°C (std.)

Higher temps available upon request.

#### Voltage Range:

110 - 600 VAC

#### Capacitance Range:

0.1 - 80 $\mu$ F

#### Capacitance Tolerance:

$\pm$ 5% (std.) - others available

#### Operating Frequency:

50 - 60Hz

#### Case Size:

Rectangular block Sizes

#### Termination:

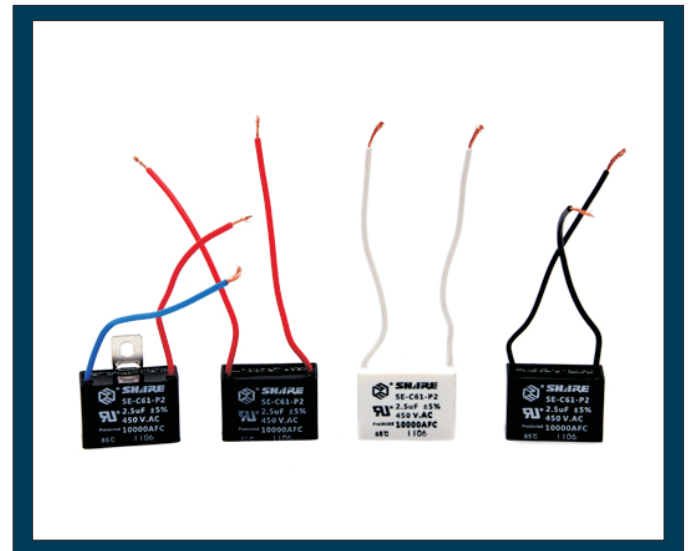
Two Wires ,Soldering Lug and Terminal

#### Performance Specifications:

Meets Requirements of EN60252-1

GB/T3667.1 & UL 810,

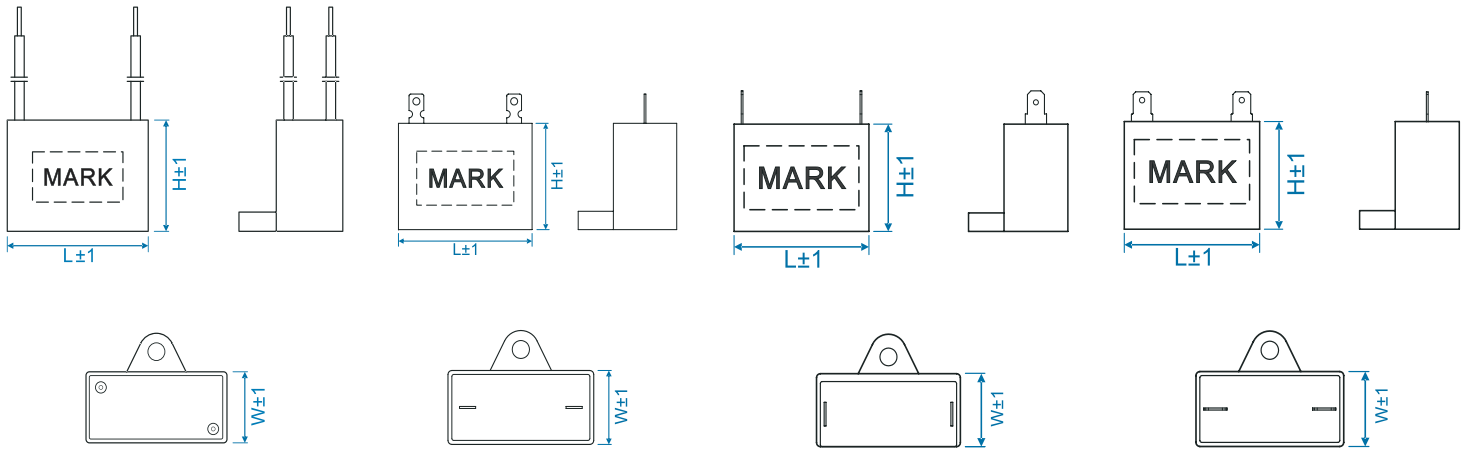
RoHS Compliant



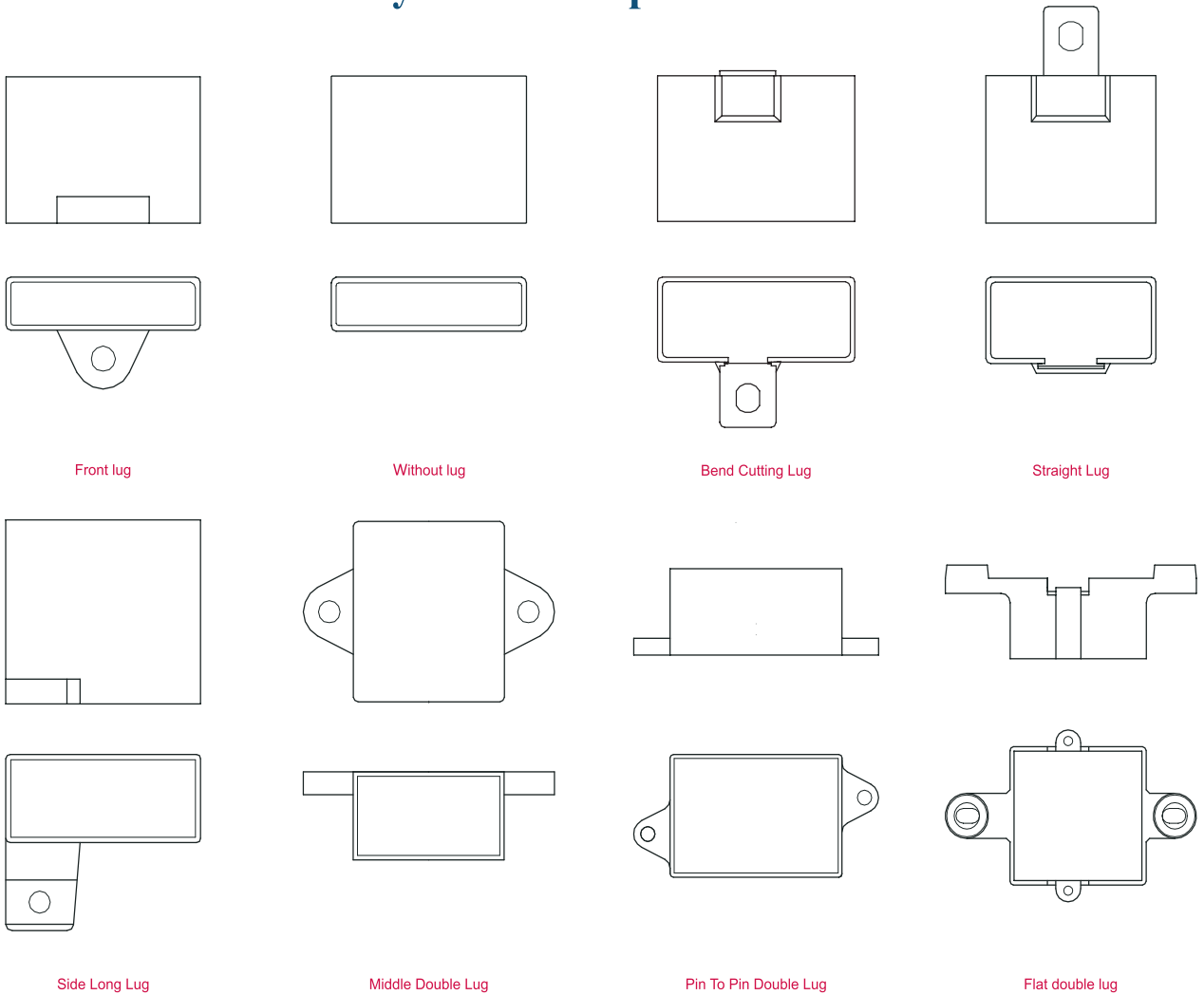
#### Product Description:

SHARE's CBB61 type products are made of electrical class polypropylene film, Zinc-aluminum metalized electrode, High-quality engineering plastic box, and enveloped with epoxy resin, led by standard quick-connect terminals to connect fast.

## Dimensional drawings



## Normal Installation Ways of AC Capacitor



For special specifications and terminals, we can design as to customer's requirement.

## Dimension table and parameters

|                             |   |
|-----------------------------|---|
| Safety approvals            | CQC, UL, CUL, VDE, TUV  |
| Implemented standard        | GB/T3667.1, UL810, EN60252-1  |
| Environment temperature     | -40°C~+105°C  |
| Rated voltage               | 110VAC~600VAC (50/60Hz)   |
| Capacitance range           | 0.1μF ~ 80μF  |
| Capacitance tolerance       | ±5%(J), ±10%(K)   |
| Tangent of loss angle(20°C) | ≤0.002 (100Hz)  |
| Testing voltage             |   |
| between terminals           | 2*U <sub>N</sub> (VAC) / 60s ( CQC, VDE, TUV )<br>1.5*U <sub>N</sub> (VAC) / 60s ( UL ) |
| between terminals and case  | 2*U <sub>N</sub> +1000(VAC) / 60s(≥2000VAC)   |
| Class of safety protection  | CBB61:P0 class ; CBB61-P2:P2 class  |
| Fault current               | CBB61-P2 : 10,000AFC ( UL810 )  |

| 常用规格 Dimension |            |            |            |            |            |            |             | Unit : mm |
|----------------|------------|------------|------------|------------|------------|------------|-------------|-----------|
| Rated cap.     | 250VAC     | 300VAC     | 350VAC     | 400VAC     | 450VAC     | 500VAC     | 550~600 VAC |           |
|                | L*W*H      | L*W*H      | L*W*H      | L*W*H      | L*W*H      | L*W*H      | L*W*H       |           |
| 0.40μF         | —          | —          | —          | —          | 31*9*17    | 31*9*19    | 32*11*21    |           |
| 0.50μF         | —          | —          | —          | —          | 31*9*17    | 31*9*19    | 32*11*21    |           |
| 0.56μF         | —          | —          | —          | 31*9*17    | 31*9*19    | 32*10*19.5 | 32*11*21    |           |
| 0.60μF         | —          | —          | —          | 31*9*17    | 32*10*19.5 | 32*11*21   | 36*11*22    |           |
| 0.80μF         | —          | —          | 31*9*19    | 32*10*19.5 | 32*11*21   | 36*10.5*20 | 36*12*22    |           |
| 1.0μF          | —          | 31*9*7     | 32*10*19.5 | 32*11*21   | 36*10.5*20 | 36*11*22   | 36*12*22    |           |
| 1.2μF          | 31*9*17    | 32*10*19.5 | 32*11*21   | 36*11*22   | 36*12*22   | 36*12.5*24 | 36*15*25    |           |
| 1.5μF          | 31*9*19    | 32*11*21   | 36*11*22   | 36*12*22   | 36*12.5*24 | 36*15*25   | 36*16*28    |           |
| 1.8μF          | 31*10*19   | 36*10.5*20 | 36*12*22   | 36*12.5*24 | 36*15*25   | 36*16*28   | 38*18.5*29  |           |
| 2.0μF          | 31*10*19   | 36*11*22   | 36*12.5*24 | 37*13.5*24 | 36*15*25   | 38*17*28   | 38*19.5*31  |           |
| 2.2μF          | 32*11*21   | 36*11*22   | 36*12.5*24 | 37*13.5*24 | 36*16*28   | 38*18.5*29 | 38*19.5*31  |           |
| 2.5μF          | 32*11*21   | 36*12*22   | 36*15*25   | 36*16*28   | 38*17*28   | 38*19.5*31 | 48*19*28    |           |
| 3.0μF          | 36*12*22   | 36*12.5*24 | 36*16*28   | 38*17*28   | 38*19.5*31 | 47*17*31   | 47*20*31    |           |
| 3.5μF          | 36*12*22   | 36*15*25   | 38*17*28   | 38*18.5*29 | 47*17*28   | 47*20*31   | 47*23*32    |           |
| 4.0μF          | 36*12.5*24 | 38*14.5*27 | 38*18.5*29 | 38*19.5*31 | 48*19*28   | 47*20*33   | 47*23*35    |           |
| 4.5μF          | 36*12.5*24 | 36*16*28   | 38*19.5*31 | 48*17*28   | 47*20*31   | 47*23*35   | 47*24*37    |           |
| 5.0μF          | 37*13.5*24 | 38*17*28   | 48*17*28   | 47*17*31   | 47*20*31   | 47*23*35   | 47*27*37    |           |
| 6.0μF          | 38*16*27   | 38*18.5*29 | 38*19.5*31 | 47*20*31   | 47*23*35   | 47*27*37   | 58*26*38    |           |
| 6.5μF          | 38*16*27   | 38*18.5*29 | 47*19*31   | 48*22*32   | 47*23*35   | 48*28*40   | 58*26*38    |           |
| 8.0μF          | 48*17*28   | 48*19*28   | 47*23*32   | 47*23*35   | 47*27*37   | 58*23*38   | 58*30*40    |           |
| 10μF           | 47*20*31   | 47*20*33   | 47*24*37   | 48*28*40   | 58*26*38   | 58*30*40   | 70*38*52    |           |
| 12μF           | 48*19*28   | 47*23*35   | 48*28*40   | 58*26*38   | 58*28*40   | 58*32*43   | 70*38*52    |           |